



Anglo-Chinese School (Junior)

PRIMARY 5

CA AND SA ASSESSMENT INFORMATION 2018

English Language Department

HOD EL

Mr Roger Teng

roger_teng@moe.edu.sg

Level Head EL

Mr Kelvin Lim

kelvin_lim_lye_lee@moe.edu.sg

Level Head EL

Ms Jane Chen

chen_mun_hui_jane@moe.edu.sg

P5/P6 - PSLE Examination Format

Paper	Description	Components	Marks	Weightage	Duration (minutes)
1	Writing	Situational Continuous	15 40	27.5%	70
2	Language Use & Comprehension	MCQ/S&T Cloze/Editing Comprehension (Visual Text / Open-Ended)	95	47.5%	110
3	Listening Comprehension	6-7 passages 20 MCQ	20	10%	~40
4	Oral Communication	- Reading - Stimulus-based Conversation	30	15%	
Total			200	100%	

Components Tested

	Term 1	Term 2	Term 3	Term 4
Primary 5	NIL	Semestral Assessment 1 (30%) Paper 1,2 & 3	Continual Assessment 2 (10%) Paper 2	Semestral Assessment 2 (60%) Paper 1,2,3 & 4
Primary 6	Continual Assessment 1 Paper 2	Semestral Assessment 1 Paper 1,2,3 & 4	Preliminary Examinations Paper 1,2,3 & 4	PSLE Paper 1,2,3 & 4

NB: The percentages for the various assessments in P5 level denote the weightage for promotion into P6. P6 promotion into Secondary School is based solely on the PSLE.

Paper 1 (Writing)

Situational Writing

Writing a report, email, formal or informal letters, notes, notices, etc.

Continuous Writing

1 Topic given together with 3 pictures (Composition must be based on the topic and one or more of the 3 pictures)

Paper 2 (Language use & Comprehension)

BOOKLET A

Grammar

Vocabulary

Vocabulary Cloze

Visual Text Comprehension

BOOKLET B

Grammar Cloze

Editing for Spelling and Grammar

Comprehension Cloze

Synthesis and Transformation

Comprehension OE

Paper 3 (Listening)

- 20 Multiple-choice questions
- Various text types (instruction, exposition, explanation, narrative, recount, information)
- Examples - dialogues, announcements, news broadcast, advertisements etc.
- Passages (6 to 7) will be read twice
- Some questions may involve some form of visual sequencing and matching

Paper 4 (Oral)

Reading Aloud (10m)

- Pronunciation, Rhythm & Fluency, Expressiveness

Stimulus-Based Conversation (20m)

- Personal Response, Clarity, Engagement in conversation in response to a visual stimulus

Mathematics Department

HOD Mathematics

Mr Goh Chee Wei

goh_chee_wei@moe.edu.sg

LH Mathematics

Mr Chee Zhen Yi

chee_zhen_yi@moe.edu.sg

P5 and P6 Mathematics Examination Format for CAs

Paper	Item Type	No. of questions	No. of marks per question	Weighting	Duration
1	MCQ	4	1	8%	
		3	2	12%	
	SA	5	1	10%	
		5	2	20%	
	Structured	7	3, 4	50%	
Total		24		100%	1 h 30 min

*Note: The use of calculators is not allowed for CAs

P5 and P6 Mathematics Examination Format for SAs, Prelims & PSLE

Paper	Booklet	Item Type	No. of questions	No. of marks per question	Weighting	Duration
1	A	MCQ	10	1	10%	1 h
			5	2	10%	
	B	SA	5	1	5%	
			10	2	20%	
2		SA	5	2	10%	1 h 30 min
		Structured	12	3, 4, 5	45%	
Total			47		100%	2 h 30 min

Examination Format

- Both papers will be scheduled on the same day with a break between the two papers.
- The break is about 45min – 1 hour.
- Paper 1 comprises two booklets. The use of calculators is **not** allowed.
- Paper 2 comprises one booklet. The use of calculators is allowed.

Paper 1

- There are 15 multiple-choice questions (MCQ).
- Ten 1-mark questions
The first ten questions tests basic knowledge and recall.
- Five 2-mark questions
The next five questions tests a range of competencies and skills including problem-solving proficiency.

Paper 2

- Five 2-mark short answer (SA) questions.
- Remaining are structured and long-answer questions (3m, 4m and 5m).
- These questions test problem-solving proficiency. Some of these problems are quite challenging.

List of Approved Scientific Calculators

The following models of Scientific Calculators are suitable for :

PSLE Mathematics and Foundation Mathematics Examinations

Examples

CASIO	FX 82MS FX 95 SG Plus	FX 85MS FX 95MS FX 350MS	FX 96 SG Plus
SHARP	EL 509WM EL W531S	EL 509WS EL W531XM	EL W509X EL W533X
TEXAS INSTRUMENTS	TI 30XIIS		

<http://www.seab.gov.sg/content/calculator/GuidelinesCalculators.pdf>

Breakdown of time required for each component

Paper	Item type	No. of questions	Time required	Total time
1	MCQ (1m)	10	10 x 1min	10 min
	MCQ (2m)	5	5 x 2 min	10 min
	SA (1m)	5	5 x 1 min	5 min
	SA (2m)	10	10 x 2 min	20 min
	CHECKING			15 min
	TOTAL TIME FOR PAPER 1			1 h

** This is a guide of the estimated timing a pupil need in an examination and it varies for different pupil*

Breakdown of time required for each component

Paper	Item Type	No. of questions	Time required	Total time
2	SA (2m)	5	5 x 2 min	10 min
	Structured/ Long answer (3, 4 & 5m)	12	12 x 5 to 6 min	65 min
	CHECKING			15 min
	TOTAL TIME FOR PAPER 2			1 hr 30 min

** This is a guide of the estimated timing a pupil need in an examination and it varies for different pupil*

Content to be assessed (P5)

Content
Whole Numbers, Fractions, Decimals
Measurement, Volume
Area of triangle
Ratio, Percentage, Average, Rate
Angles, Triangles, Quadrilaterals

Content to be assessed (PSLE)

Content
Whole Numbers, Fractions, Decimals
Measurement (Length, Mass, Time, Volume, Area)
Statistic (Graphs, Average)
Geometry
Rate, Speed
Ratio, Percentage
Algebra

Some Important Points

- Account for each calculated figure.
- Final statements for each problem. (to indicate the final answers)

Example:

- a) The total number of marbles is 300 ✓
- b) The answer is 300 ✓
- c) 300 ✗

- Accurate use of Units of Measurement for final answer.
- Marks [1/2 m] deducted for inaccurate use or omission of units.

Some Important Points

- For questions on angles, boys must make reference to the angles in their working or in the diagram.

Eg:

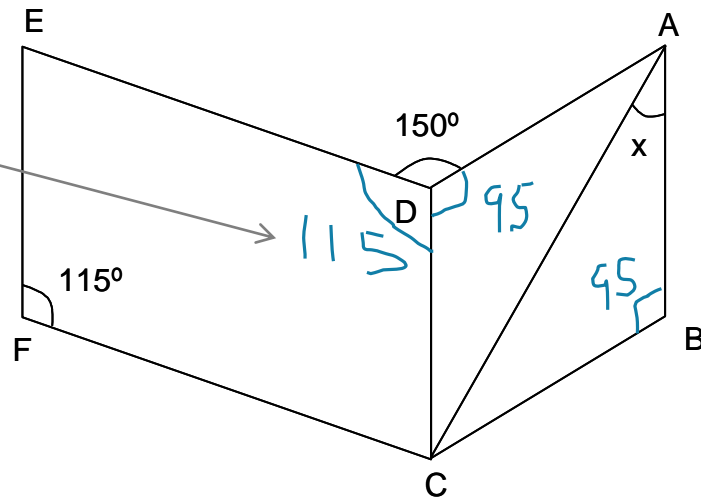
Making Reference
to the angle

$$\angle \mathbf{EDC} = 115^\circ$$

$$\angle \mathbf{ADC} = 360^\circ - 150^\circ - 115^\circ = 95^\circ$$

$$\angle \mathbf{ABC} = 95^\circ$$

$$\angle x = (180^\circ - 95^\circ) \div 2 = 42.5^\circ$$



- Marks will not be awarded for steps which do not show clearly the angles calculated.

* All working **MUST** be shown clearly (must not write the value of the angles on the diagrams only).

Some Important Points

Mark Deductions

$\frac{3}{4}$ = 30 ... inequality [- 1/2 m]

$\frac{3}{4}$ of 30 is ... correct

3 units = 30 ... correct

1hr 10 min after 3:30 pm is ...correct

Science Department

HOD Science

Miss Hemalatha P

hemalatha_n_perumal@moe.edu.sg

Assessment Objectives

Assessment Objectives	Weighting(%)
Knowledge with Understanding : Demonstrate knowledge & understanding of scientific facts, concepts & principles	40
Application of Knowledge and Process Skills: 1. Apply scientific facts, concepts & principles to new situations 2. Use one or a combination of the following process skills: <ul style="list-style-type: none">• Observing• Comparing• Classifying• Using apparatus and equipment• Inferring• Predicting• Analysing• Generating possibilities• Evaluating• Formulating hypothesis• Communicating	60
Total	100

Content to be assessed (P5)

Theme	Life Science	Physical Science	* Weighting (%)
Diversity	Living Things	Non-living Things Materials	5 – 15
Energy	Forms & uses Photosynthesis	Forms & uses - Light & Heat Conversions	15 – 30
Systems	Plant : parts & functions, respiratory & circulatory systems Human : Digestive, respiratory & circulatory systems Cell system	Electrical systems	20 – 35
Cycles	Plants & animals – life cycles & Reproduction	Matter Water	20 – 35
Interactions		Magnets	10 – 20
Weighting (%)	40 - 60	40 - 60	100

P5 Content Coverage

Themes	Covered in	Term
Diversity P3/4	P3	-
Systems P3/4	P3	-
Cycles P3/4	P4	-
Interactions P3/4	P4	-
Energy P3/4	P4	-
Systems P5/6	P5	1 and 2
Energy P5/6	P5	3
Cycles P5/6	P5	3 and 4

Components tested

Continual Assessment – Written and Practical Test

Semestral Assessment 1 and Semestral Assessment 2

Assessment Weighting			
	Term 2	Term 3	Term 4
Primary 5	Semestral Assessment 1 (30%)	Continual Assessment (10%)	Semestral Assessment 2 (60%)

P5 Science Examination Format for CA (Term 3)

Item Type	No. of Questions	No. of Marks per Question	Total Marks	Duration
Practical Test	4	2 - 4	10	20 Minutes
Written Paper	MCQ – 11 Open Ended – 6	2 Marks 2 - 4 Marks	40	50 Minutes

P5 Science Examination Format for SAs

Booklet	Item Type	No. of Questions	No. of marks per Question	Total Marks
A	Multiple-choice	28	2	56
B	Open-ended	12 - 13	2 - 5	44
Total				100

Duration : 1hour 45 minutes

Chinese Language Department

Head of Department Mother Tongue

Mdm Kuah Hui Hui

kuah_hui_hui@moe.edu.sg

Level Head Mother Tongue

Mdm Lam Yuk Wing

lam_yuk_wing@moe.edu.sg

Components tested

Term 1	Bite-sized assessment	General Paper	-
Term 2	SA1 Mid Year Exam	Paper 1 to 4	30%
Term 3	Continual assessment	General Paper	10%
Term 4	SA2 Final Year Exam	Paper 1 to 4	60%

P5 Chinese Examination Format for SAs

Paper	Components	Marks	%	Duration
1	Composition (Topic essay) (Picture essay) 2 choose 1, more than 100 words	40	20	50 min
2	General Paper	90	45	1 hr 40 min
3	Listening Comprehension	20	10	Approx 30 min
4	Oral	50	25	Approx 10 min
	Total	200	100	

Paper 1

	Marking Scheme	Marks	%
1	Content	20	10
2	Language	20	10
	Total	40	20

Paper 2

	Items	No. of Qn	Marks	%
Booklet A MCQ	Language Application	15	30	15
	Cloze Passage	5	10	5
	Comprehension	5	10	5
	Total	25	50	25
Booklet B	Complete the dialogue	4	8	4
	Comprehension	11	32	16
	Total	15	40	20

Paper 3 and 4 : Oral & Listening Comprehension

	Listening Comprehension	Marks	%
1	10 Questions	20	10

	Oral Components	Marks	%
1	Reading Aloud	20	10
2	Conversation : video	30	15
	Total	50	25

P5 HCL Examination Format for SAs

Paper	Components	Marks	Duration
1	Composition -情境作文 (Topic essay) -完成文章 (Complete the Essay) 2 choose 1, more than 200 words	40	50 minutes
2	General Paper -(Cloze passage) -(Character/ word correction) -(Comprehension)	60 (10) (10) (40)	1 hour 20 minutes
	Total	100	

Approved E-dictionaries

	TITLE	PUBLISHER	APPROVED PERIOD
1	HansVision PX2051	Creative Technology Ltd	2018 – 2022
2	HansVision PX2101	Creative Technology Ltd	2018 – 2022
3	HansVision PX2131	Creative Technology Ltd	2018 – 2022
4	Besta New All Pass 1	iKnow Pte Ltd	2015 – 2019
5	Besta All Pass 2	iKnow Pte Ltd	2017 – 2021
6	Besta All Pass 3	iKnow Pte Ltd	2017 – 2021
7	ZZ. New-01	ZZ Perfection Pte Ltd	2018 – 2022
8	ZZ. New-A+	ZZ Perfection Pte Ltd	2018 – 2022
9	HansVision PX2181	Creative Knowledge Labs Pte Ltd	2018 – 2022

Approved Chinese Dictionaries

	TITLE	PUBLISHER	ISBN Number	APPROVED PERIOD
1	规范汉语词典	联营出版（马）有限公司	978—983—820—627—3	2017—2021
2	新世纪学生华语词典	怡学出版社. 商务印书馆	978—981—4237—75—8	2016—2020
3	新编小学实用词典	新亚出版设	981—274—954—3978—981—274—954—3	2014—2018

Online Resources

1	学乐 Xue Le (from MOE) http://xuele.moe.edu.sg
2	P5 Chinese reading materials 《新列车》 www.ezhishi.net
3	Marshall Cavendish Online 《口试满分》 《作文满分》 《冠军王》 & Online Oral Exercise